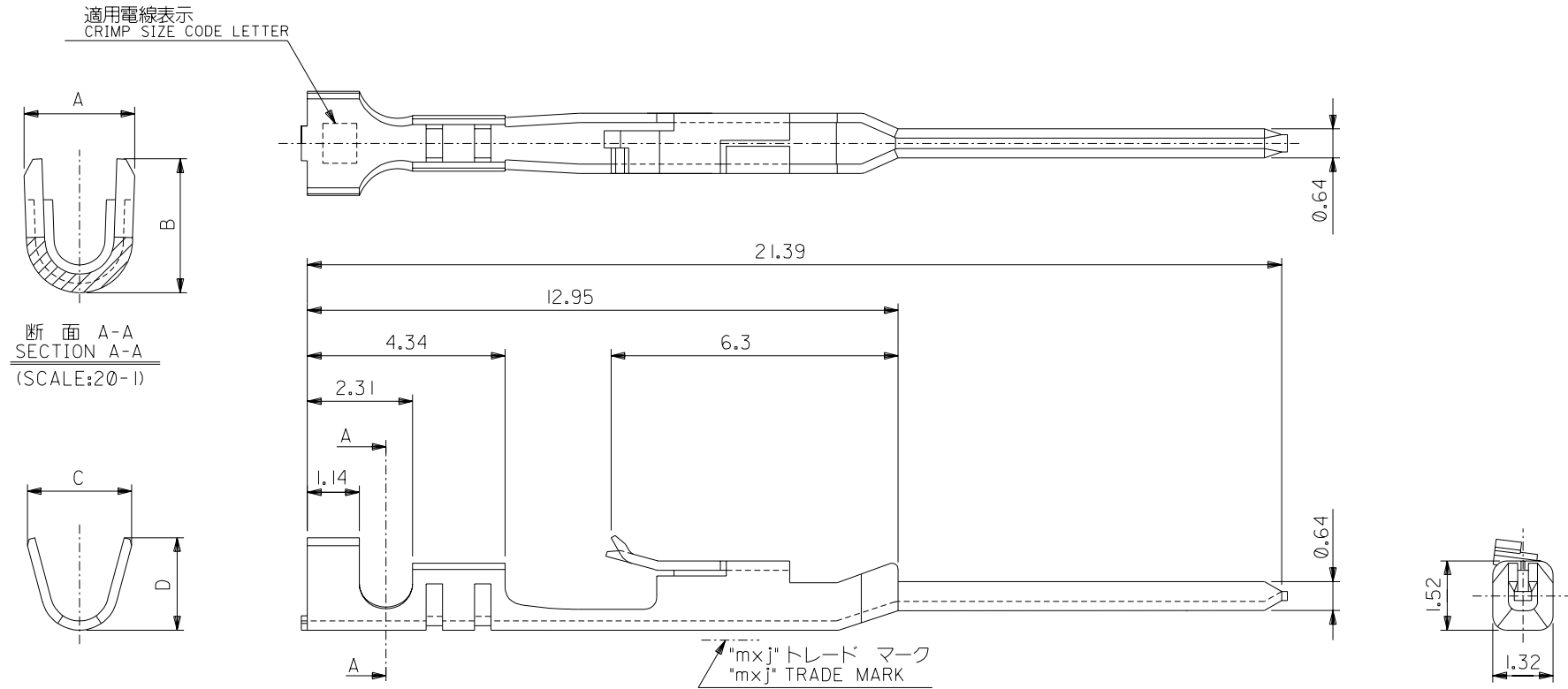


DIMENSIONS IN METRIC DO NOT SCALE DRAWING

ENG. NO. 0*04
SD-70021-0*21

EDP NO. #



注記:
NOTES:

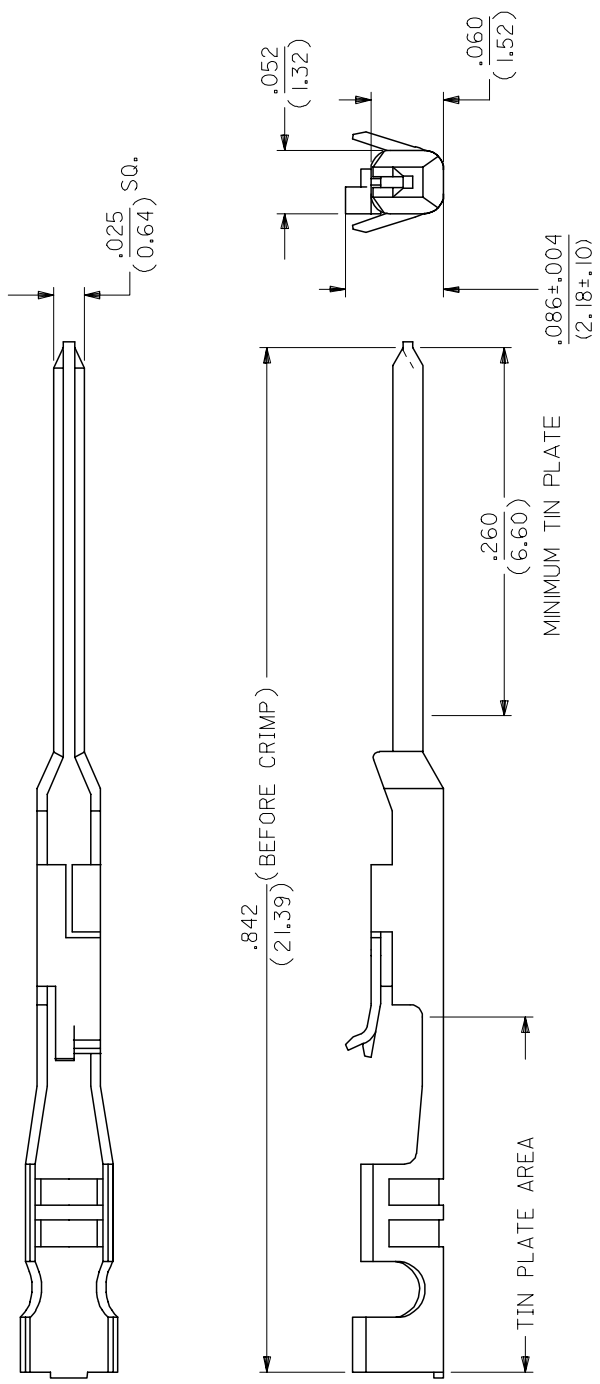
- 適合ハウジング: 70066-****, 70107-****
APPLICABLE HOUSING: 70066-****, 70107-****
- 仕上げ ニッケル下地、錫メッキ
FINISH TIN OVER NICKEL PLATING

1.91	2.1	1.47	1.22	A	φ 1.6 MAX.	AWG#24-#30	バラ状 LOOSE	70021-0204
1.91	2.1	1.65	1.84	C		AWG#22-#24	連鎖状 CHAIN	70021-0004
D	C	B	A	適用電線表示 CRIMP SIZE CODE LETTER	被覆外径 INS. RANGE	適用電線範囲 WIRE RANGE	端子形状 FORM	MATERIAL No.
				材料 MATERIAL	磷青銅 PHOSPHOR BRONZE			MOLEX-JAPAN CO.,LTD. 日本モレックス株式会社
				仕上げ FINISH	注記参照 SEE NOTES			
角度 ANGLE	+3°	B	変更 REVISED (J2004-4519)	Y.M.S	04/05/31	適用電線範囲 WIRE RANGE	表参照 SEE CHART	ENG. NO. SD-70021- 0*04 0*21
30以上 OVER	+0.3	A	変更 REVISED (T20159)	H.I	19/5/20	被覆外径 INS. RANGE	表参照 SEE CHART	
10以上 OVER	+0.25	0	新規作成 RELEASED (T00110)	Y.M.S	19/4/6			TITLE 名称 SL MALE CRIMP TERMINAL -LEAD FREE-
10未満 UNDER	+0.2	記号 LTR	変更内容 REVISION RECORD	DR. CHK.	日付 DATE	DRAWN BY A. Mitake	CHK'D BY M. Kuro	
一般公差 GENERAL TOLERANCES						APP'D BY S. Yamada	尺度 SCALE 10-1	

THIS DRAWING CONTAINS INFORMATION THAT IS PROPRIETARY TO MOLEX(JAPAN) AND SHOULD NOT BE USED WITHOUT WRITTEN PERMISSION
本図面は日本モレックス(株)の所有する情報を含むもので 当社の許可なく複製を禁止する。

1 2 3 4 5 6 7 8 9 10

F E D C B A



NOTES:

1. TERMINAL FOR USE WITH HOUSING PART NO. 70066-***** & 70107-*****.
2. MATERIAL: .008/(0.20) THK. PHOSPHOR BRONZE.
3. TERMINAL TO BE USED WITH 22-24 AWG STRANDED WIRE WITH .064 DIA. MAX. INSULATION.
4. REFER TO MOLEX OPERATIONAL AND SERVICE MANUAL FOR DETAILS.
5. REFER TO PRODUCT SPECIFICATION NO. PSX700021.
6. PARTS SUPPLIED LOOSE PER DRAWING PK-70873-0822.

PLATING:

.000150 MIN. TIN PLATE OVER NICKEL PLATE.

*THE PRIMARY SHIPPING CARTON WILL BE LABELED "COMPLIANT TO RoHS DIRECTIVE 2002/95/EC AND ELV ANNEX II OF DIRECTIVE 2000/53/EC". CARTONS WITHOUT THIS LABEL MAY CONTAIN PRODUCT WITH LEAD.

QUALITY SYMBOLS ▶=0 ◁=0	GENERAL TOLERANCES (UNLESS SPECIFIED)		DIMENSION STYLE		SCALE	DESIGN UNITS	THIRD ANGLE PROJECTION
	mm	INCH	IN/MM	INCH	10:1	INCH	
	4 PLACES ±---	±---	DRAWN BY	DATE	TITLE		
	3 PLACES ±---	±.010	WJF	1986/10/30	TERMINAL, MALE CRIMP		
	2 PLACES ±---	±.015	CHECKED BY	DATE			
	1 PLACE ±0.35	±---	MJM	1986/10/30			
	ANGULAR ±1/2°		APPROVED BY	DATE			
			MAZ	1986/10/30			
DRAFT WHERE APPLICABLE MUST REMAIN WITHIN DIMENSIONS		MATERIAL NO.	DOCUMENT NO.		SHEET NO.		
		16-02-0114	SD-70021-0221		1 OF 1		
THIS DRAWING CONTAINS INFORMATION THAT IS PROPRIETARY TO MOLEX INCORPORATED AND SHOULD NOT BE USED WITHOUT WRITTEN PERMISSION							